

4

2

1

F

F

E

E

D

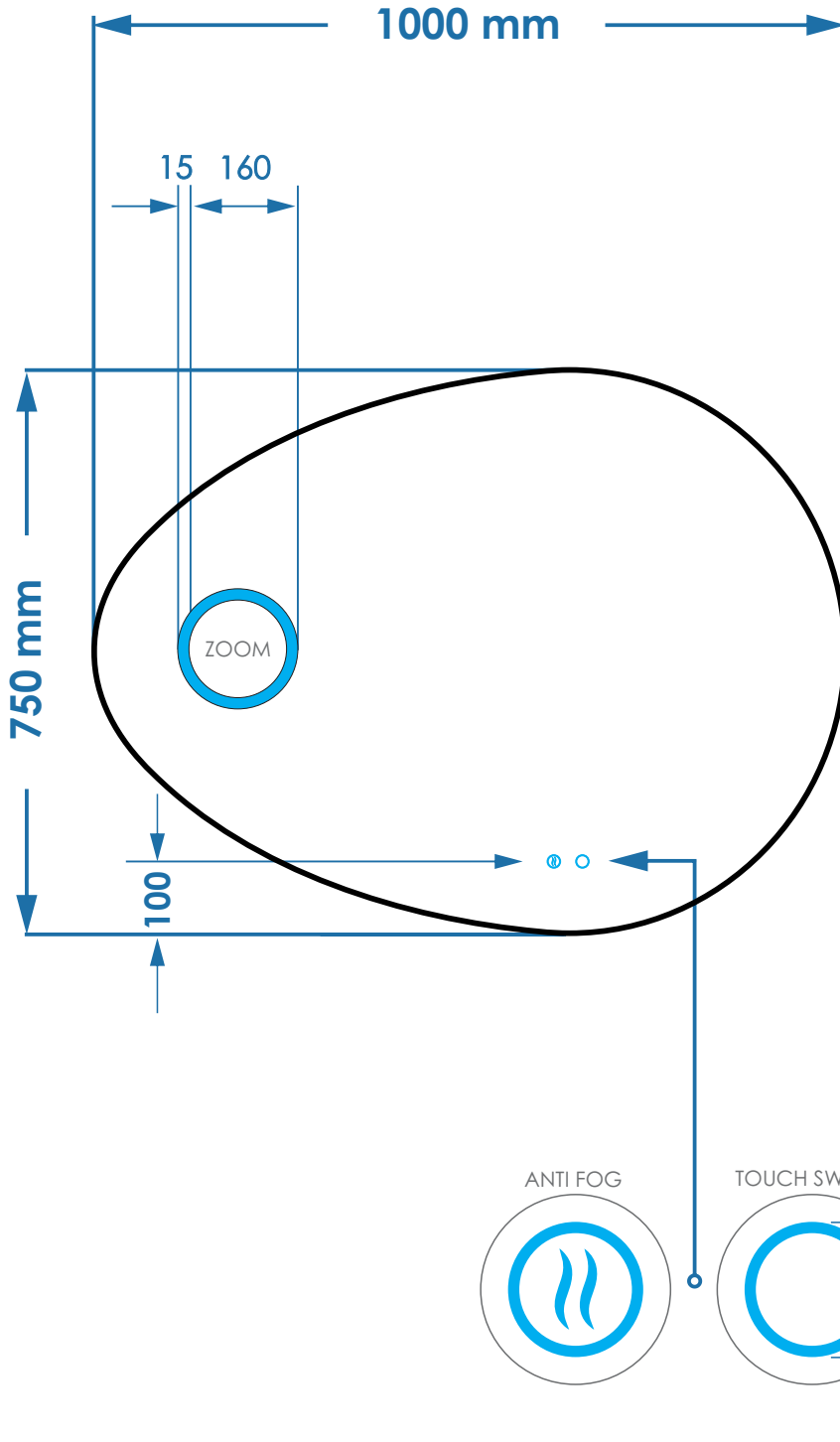
D

C

C

B

B



DIMENSIONS ARE IN
MILIMETERS (mm)
DO NOT SCALE DRAWING

SIGNATURE/REVISION:

	NAME	SIGNATURE	DATE	PRODUCT:	MIRROR
DRAWN				MATERIAL:	GLASS
CHK D				THICKNESS:	4mm
APPV D				EDGING:	C / F edge
MFG				SANDBLASTING:	YES <input checked="" type="checkbox"/>
A				SNESOR/SWICHTH:	TOUCH

TITLE:	<h1>Atlas</h1>	
DIMESIONS:	1000 x 750 mm	A4
SCALE:	1 : 10	SHEET 1 OF 1

4

2

1

A

A