

4

2

1

F

F

E

E

D

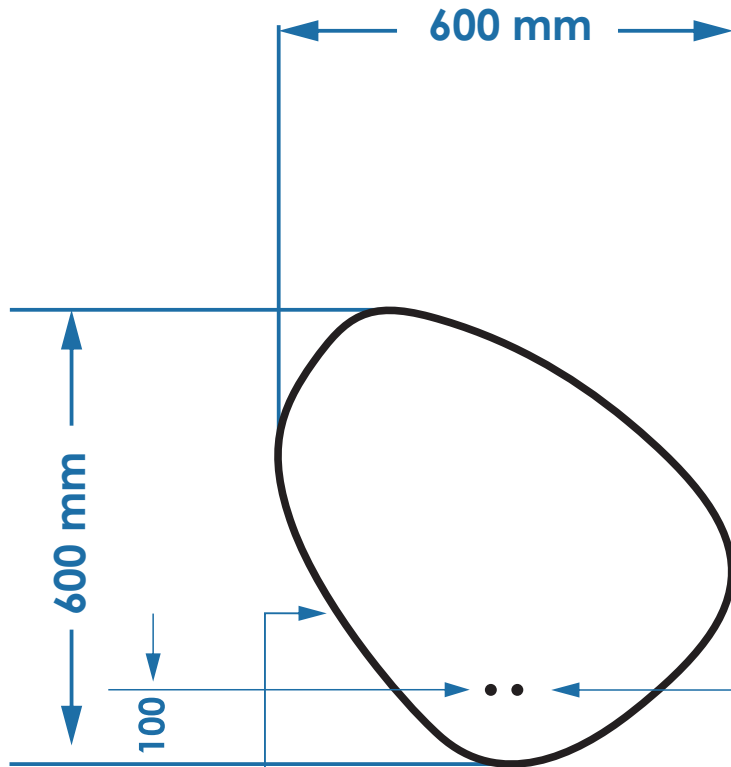
D

C

C

B

B

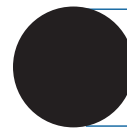


FRAME COLOR      METAL FRAME  
 SIDE VIEW 30 mm

- BLACK
- GOLD
- COPPER ROSE

GESTURE SENSOR

MIRROR HEATER



2 mm

15 mm

DIMENSIONS ARE IN  
 CENTIMETERS (cm)  
 DO NOT SCALE DRAWING

SIGNATURE/REVISION:

A	NAME	SIGNATURE	DATE	PRODUCT:	MIRROR	TITLE:  Fenix
	DRAWN			MATERIAL:	GLASS	
	CHK D			THICKNESS:	4mm	
	APPV D			EDGING:	C / F edge	DIMENSIONS:  600 x 600 mm      A4
	MFG			SANDBLASTING:	YES <input checked="" type="checkbox"/>	
A				SNESOR/SWICHTH:	SENSOR	SCALE:      1 : 10      SHEET      1 OF 1

4

2

1

A