

4

2

1

F

F

E

E

D

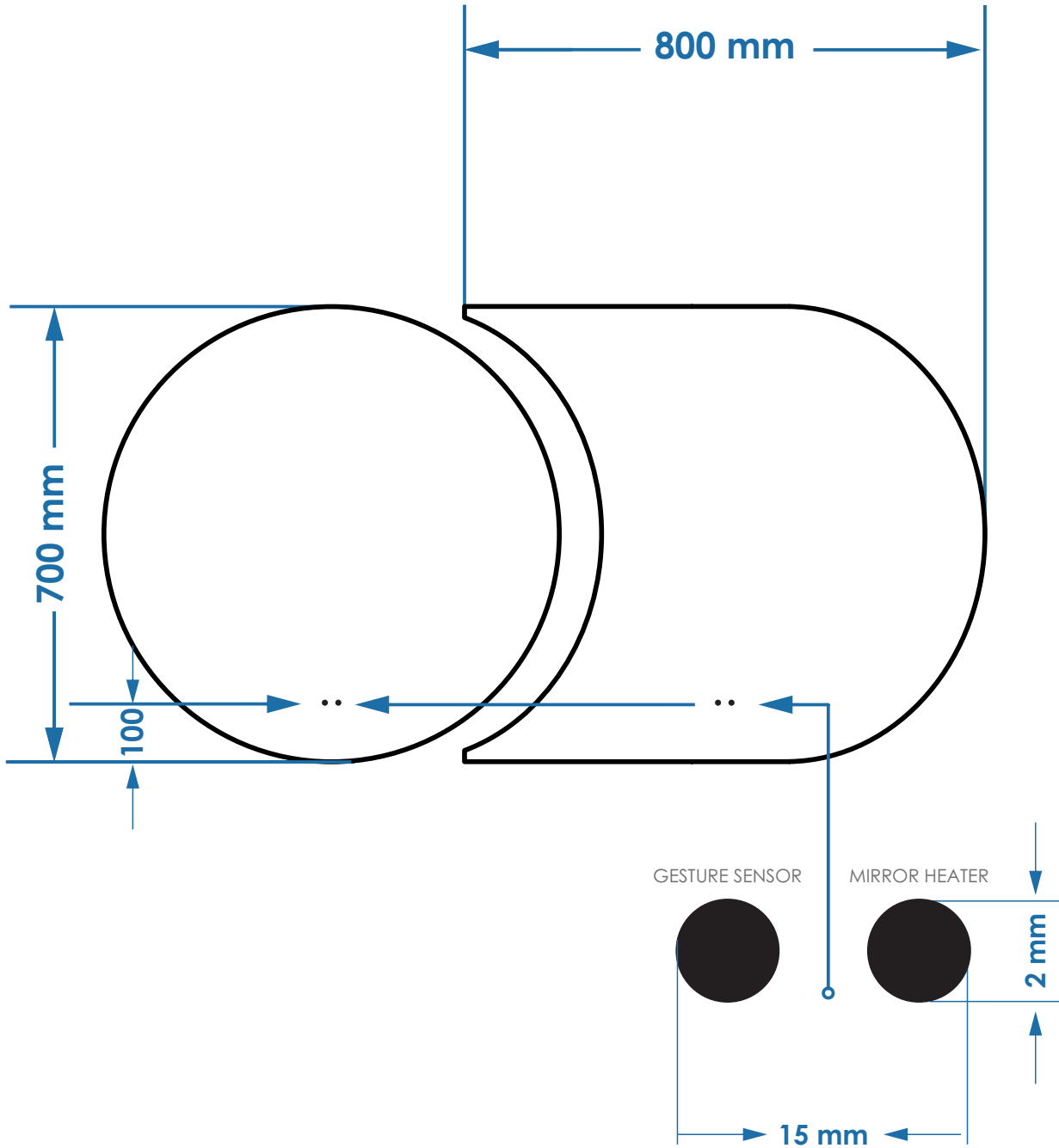
D

C

C

B

B



DIMENSIONS ARE IN CENTIMETERS (cm)
DO NOT SCALE DRAWING

SIGNATURE/REVISION:

	NAME	SIGNATURE	DATE	PRODUCT:	MIRROR
DRAWN				MATERIAL:	GLASS
CHK D				THICKNESS:	4mm
APPV D				EDGING:	C / F edge
MFG				SANDBLASTING:	NO <input checked="" type="checkbox"/>
A				SNESOR/SWICHTH:	SENSOR

TITLE:	<h1>Eris</h1>	
DIMENSIONS:	fi 700 + 800 x 700 mm	A4
SCALE:	1 : 10	SHEET 1 OF 1

4

2

1

A

A