

4

2

1

F

F

E

E

D

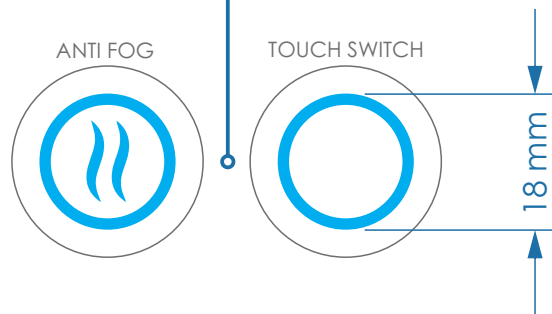
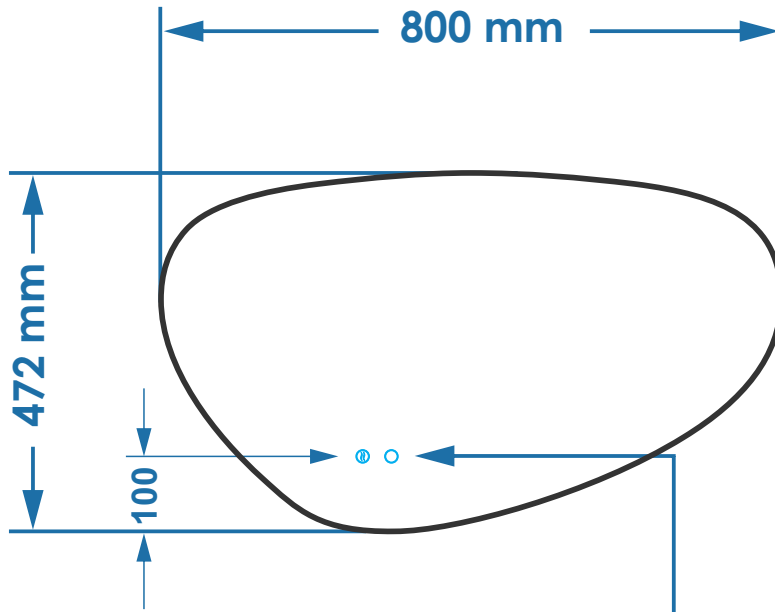
D

C

C

B

B



DIMENSIONS ARE IN  
MILIMETERS (mm)  
DO NOT SCALE DRAWING

SIGNATURE/REVISION:

A	NAME	SIGNATURE	DATE	PRODUCT:	MIRROR	TITLE: <b>Trendy</b>	DIMENSIONS: <b>800 x 472 mm</b>	A4	
	DRAWN			MATERIAL:	GLASS				
	CHK D			THICKNESS:	4mm				
	APPV D			EDGING:	C / F edge	SCALE:	1 : 10	SHEET	1 OF 1
	MFG			SANDBLASTING:	YES <input checked="" type="checkbox"/>				
	A			SNESOR/SWICHTH:	TOUCH				

4

2

1

A

A